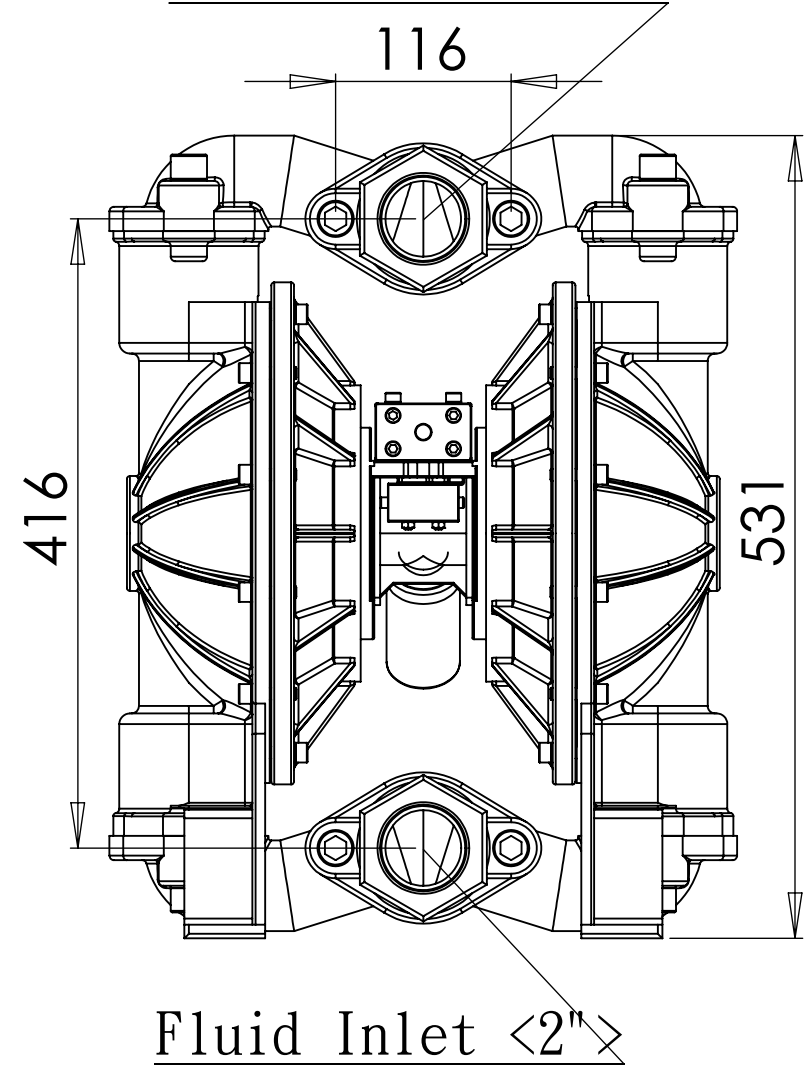
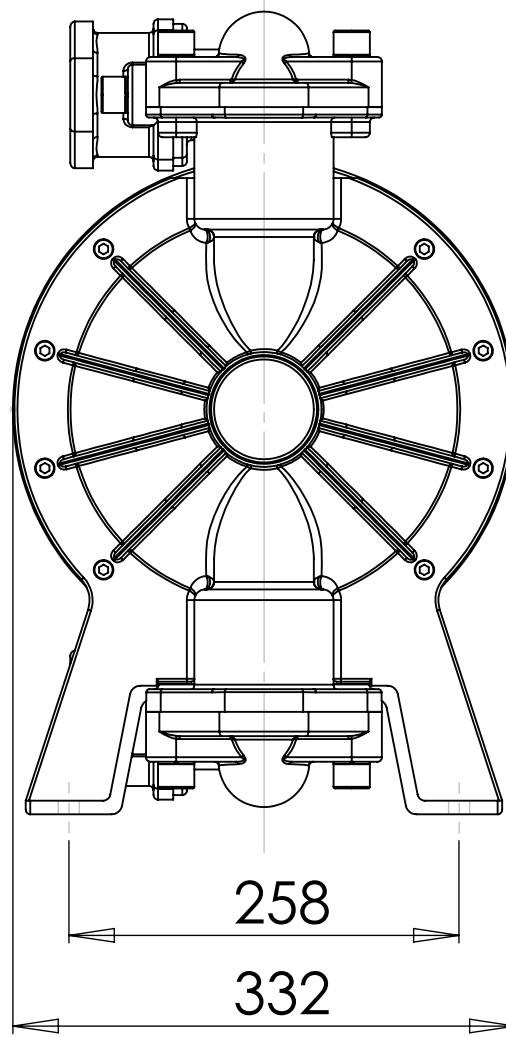
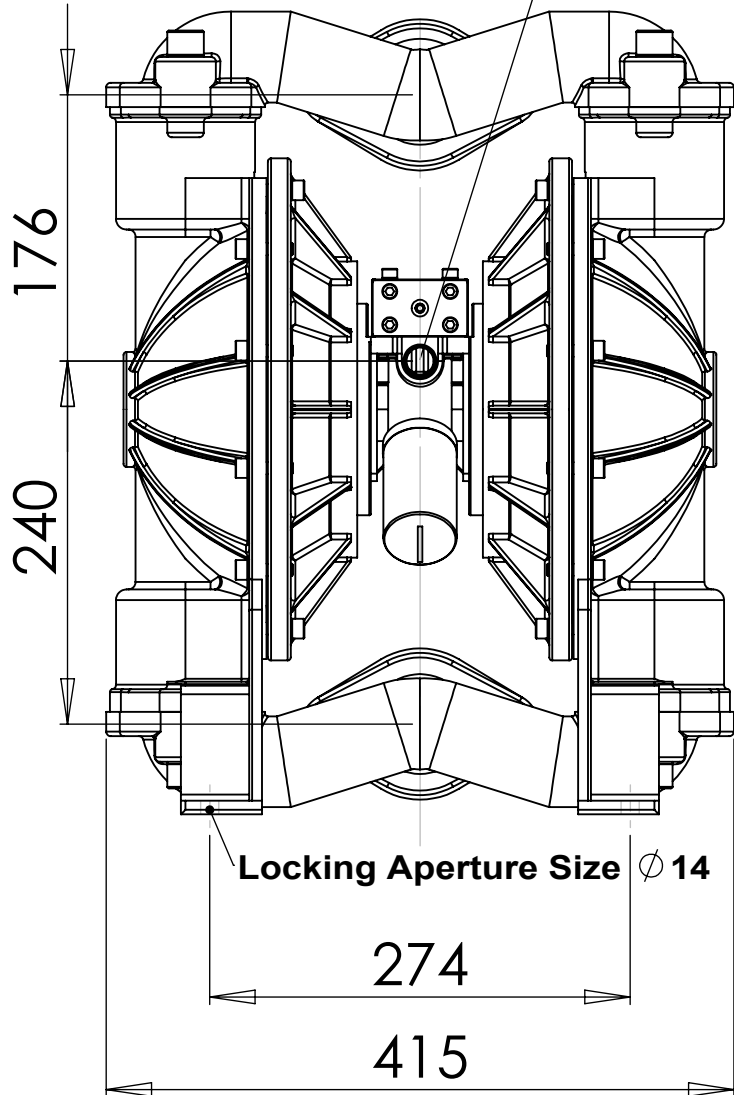


Air Inlet <1/2" >

Fluid Outlet <2" >



(Unit: mm)